

协普 | SHIPE

床系列产品 | BED SERIES

详细介绍 | Introduction





目录 CONTENTS

01 | 公司介绍
Company profile

02 | 产品介绍
Product introduction

03 | 生产流程
Production Line

04 | 合作项目
Cooperation project



公司介绍

Company profile

PART ONE



COMPANY PROFILE

WUHU SHIPE MACHINE CO., LTD, focuses on the production and service of high-end ship products. SHIPE was incorporated in 1999, which has building area nearly 20,000 square meters. SHIPE always insists the super-quality strategy since founded, we have acquired a large number of advanced professional processing equipment, a number of advanced testing equipment has been applied as well. Now has developed into a provincial excellent enterprise with well-equipped, standardized management and various products. We're planning to introduce a number of automatic production and testing equipment step by step, and to finally realize the intelligent production.

SHIPE has mainly products in four categories: Cruise Products, Electrical Equipment and accessories, Automatic Grinding Machine and also to provide customs a full range of Customized Products solution. Over 20 years industry experiences, 30 product patent qualifications, sold into 15 countries and regions word widely.

Our products such as Pullman Bed series, Mirror Cabinets, Mirror Lights, etc., has become the first choice for main customers globally, and already widely used in luxury cruise market. We have successively provided integrated interior ancillary products and services for luxury cruises and ro-ro passenger ships such as MSC, RCL, ZHONGHUA FUXING, VIKING Line, POLAR CRUISE, TT Line, STENA Line and so on. In recent years, SHIPE has increased investment in new product research and development as well as introduction of electric technical personnel, and a series of electrical equipment has emerged, which have been put into large-scale production.

Brand is the soul of company development, Innovation is the source of company development, Integrity is the foundation of company development. In all aspects of production and management, we always remember the responsibility and reputation of SHIPE. We insist on the systematic and modernization of management models and we get a class A tax credit in Wuhu City. We have successively passed the GJB Quality System Certification, CCS Quality Management System Certification, Safety Production Standardization Certification, and got the Class A qualification for manufacturing military products.

SHIPE has always focus on customer-centric, quickly responds to customer needs, keep continuously create values for customers as the marketing concept.

All of the SHIPE people have set sail and look forward to the future. We will uphold the development concept of technical innovation, strive for excellence craftsman spirit, and devoted to provide quality products and services for high-end customers.



公司简介

芜湖市协普机器有限公司专注于高端船舶产品的生产与服务，公司成立于1999年，建筑面积近2万平米，经过二十余载的执着追求和创新发展，正不断跨步迈向品牌的新征程！

公司始终坚持精品战略，我们先后添置了一大批先进的专业加工设备，还添置了一批先进的专业检测设备。目前已发展成设备精良、管理规范、产品丰富的省级优秀企业。我们还计划进一步引进一批自动化生产设备和检测设备，最终实现智能化生产！

公司主营四大类规模化产品：邮轮配套、电气设备及附件、自动打磨机以及为客户提供全方位定制化产品解决方案。22年行业经验，30项产品专利资质，产品远销15个海内外国家及地区。其中折叠床系列、船用镜柜、镜前灯、筒灯等系列产品，已成为国内外主流客户的首选，并广泛应用于豪华邮轮市场，相继为地中海邮轮、皇家加勒比邮轮、中华复兴号K36、维京邮轮NB488、极地邮轮、TT-LINE、STENA LINE等豪华邮轮、客滚船提供一体化内装配套产品服务。

诚信是企业发展的根基，在生产经营的各个环节，我们始终铭记企业的责任和信誉，坚持系统化、现代化的管理模式，是芜湖市A级纳税信用单位。公司先后通过了国军标质量体系认证、CCS质量体系认证、安全生产标准化认证、A类装备承制单位资格认证。

协普，始终坚持以客户为中心，快速响应客户需求，持续为客户创造价值的营销理念。

全体协普人已扬帆起航，展望未来！我们将秉持技术创新的发展理念，坚持精益求精的工匠精神，致力于为高端客户提供优质产品和服务。

公司设备 | Company Facility



2*6米激光切割机
CNC laser cutting machine



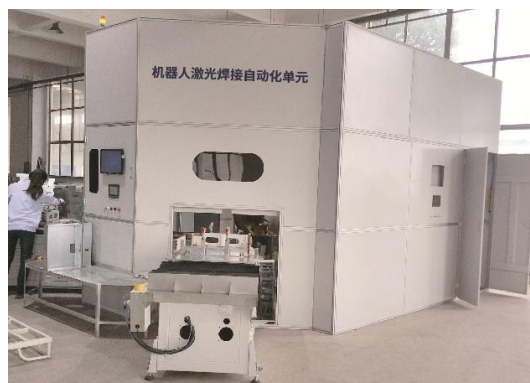
通快数控冲床
TRUMPF's CNC punch



双机联动6轴数控折弯机
6 axis CNC bending machine



数控转塔冲床
CNC machining centre



机器人激光焊接自动化单元
Laser welding automation unit



机器人激光焊接自动化单元
Laser welding automation unit



自动打磨机
Automatic grinding machine

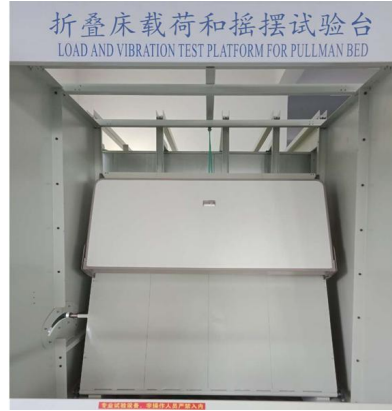


自动化喷涂生产线
Automatic spraying production line

检测设备 | Test Facility



综合试验台
Integrated Test Platform



摇摆试验台
Vibration Table



积分球
Integrating Sphere



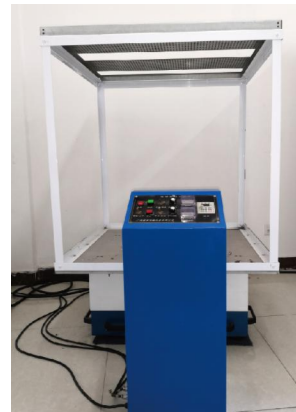
金属分析仪
Metal analyzer



色差仪
Colorimeter



淋雨试验箱
Rain test chamber



振动试验台
Vibration test bench



盐雾试验箱
Salt test Chamber



灯具光电测试仪
Photoelectric tester of lamps



光泽度仪与电器试验台
Vancometer & Electrical test bench

产品介绍

Product introduction

PART TWO

床系列 | Bed Series

该系列产品包括铝合金折叠床、沙发床、吸顶式折叠床、钢质双层床、钢质单层床、钢丝床等。

铝合金折叠床、沙发床、吸顶式折叠床主要用于豪华邮轮、客滚船。

折叠床安装在起居舱室舱壁上,可以折叠;

沙发床折叠后可以替代沙发使用,开启可以当床使用;

吸顶式折叠床可以收进天花板,开启与闭合具有助力缓冲功能充分利用和节省了船舶起居空间,安全、方便、美观。

每个系列产品都能满足静载荷、动载荷及疲劳试验等内控标准,使用寿命可达20年以上,因产品品质高端、价格合理,产品一经推出,迅速占领国内市外市场,在多个豪华邮轮项目上投入使用,成为国内最大的船用折叠床的供应商。

Bed series include Pullman bed, sofa bed, ceiling Pullman bed, steel bunkbed, steel single bed and spring bed.

They are mainly used for luxury cruise ships and ro-ro passenger ship.

Pullman bed is installed on bulkhead of cabin, it can be fold up and down.

Sofa bed can be used as sofa when fold up and as bed when down.

Ceiling bed can be colsed into ceiling. They make full usage of space in cabin and with safe, convenient and decorative feature.

Each series of products can meet the internal control standard of static load, dynamic load and fatigue test in our company standard and service life can reach more than 20 years. Those kinds of products quickly occupy the domestic market once launched because of the high quality and reasonable price.



折叠系列

PULLMAN BED SERIES

A 型 铝合金折叠床
A TYPE ALUMINUM PULLMAN BED



C 型 铝合金折叠床
C TYPE ALUMINUM PULLMAN BED



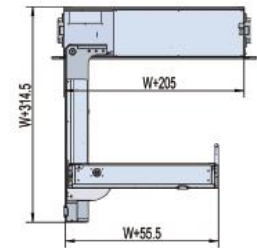
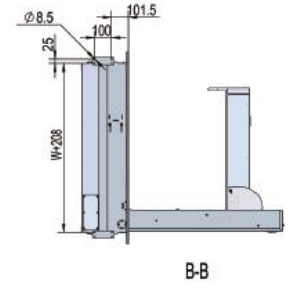
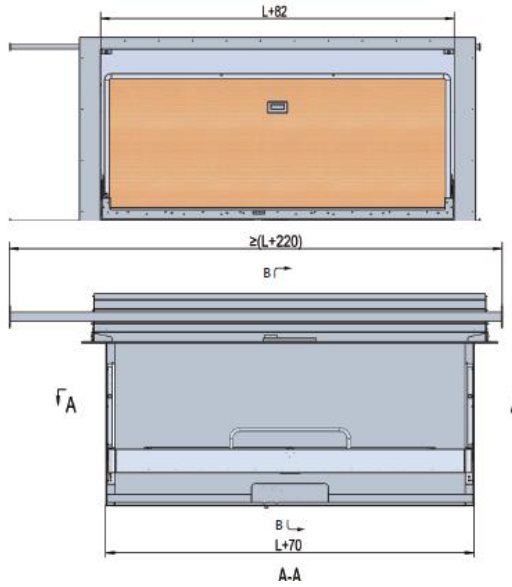
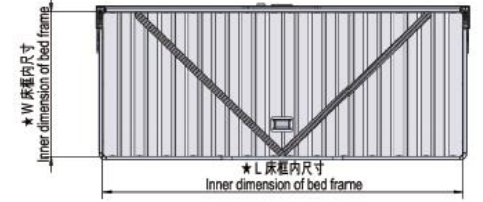
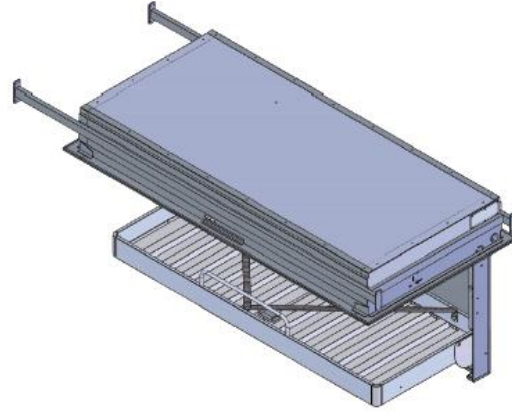
A 型 沙发床
A TYPE SOFA BED



C 型 沙发床
C TYPE SOFA BED



吸顶式折叠床 CEILING PULLMAN BED

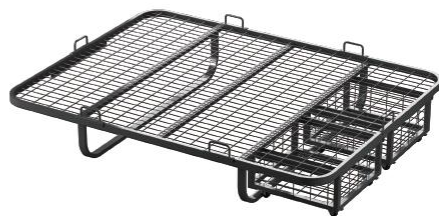
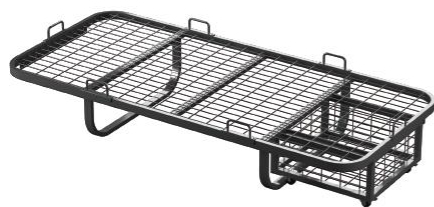


钢质床 CEILING PULLMAN BED



钢质单层床
Steel single-berth bed
材质：镀锌钢板
Material: Galvanized steel

钢质双层床
Steel bunk bed
材质：镀锌钢板
Material: Galvanized steel



钢丝单人床
Steel wire single bed
材质：镀锌钢
Material: Galvanized steel

钢丝双人床
Steel wire double bed
材质：镀锌钢
Material: Galvanized steel

综合试验 COMPRHENSIVE EXPERIMENT

折叠床系列产品都能满足静载荷、动载荷及疲劳试验等内控标准，使用寿命可达20年以上。

Each products of bed series can meet the internal control standrad of static load, dynamic load and fatigue test. Service life can reach more than 20 years.

静载荷试验 | Static Load Test 350KGS



综合试验

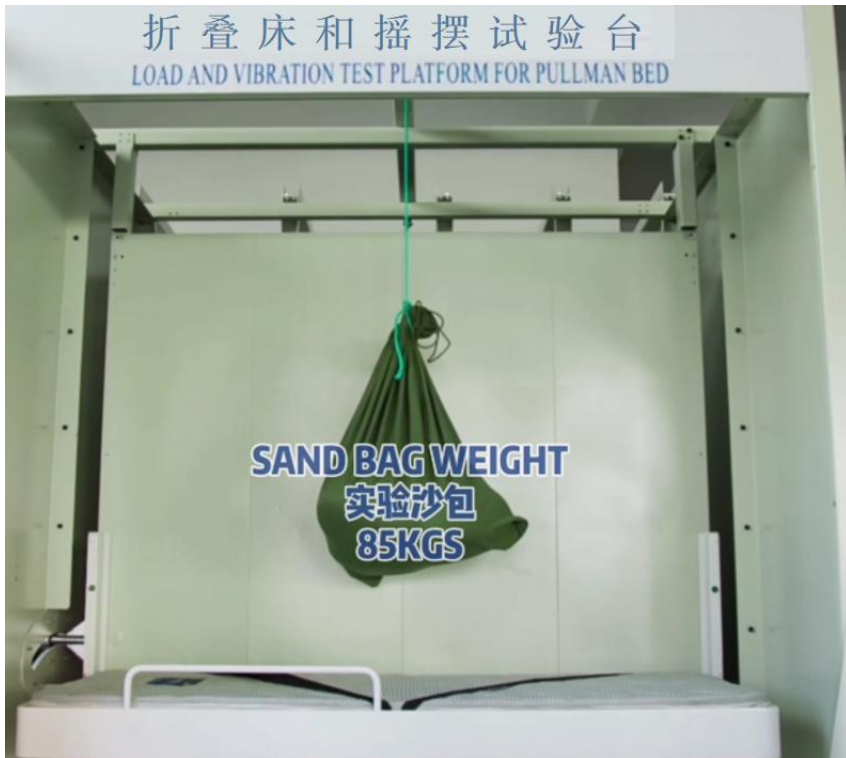
COMPRHENSIVE EXPERIMENT

动载荷试验 | Dynamic Load Test

85KGS

经测试后，床体结构中无永久变形、焊缝裂纹或紧固件松动。床体上下折叠平稳，无异常噪音和振动。经测试，加载和卸载过程中，床体终端部区域的偏差数值为0mm。

There is no permanent deformation, weld crack or loosening of fasteners in the structure . The bed can be folded up and down smoothly and no abnormal noise and vibration after test. Measure the deflection on the end region during load and unload process and value is 0mm.



疲劳实验 | Fatigue Test

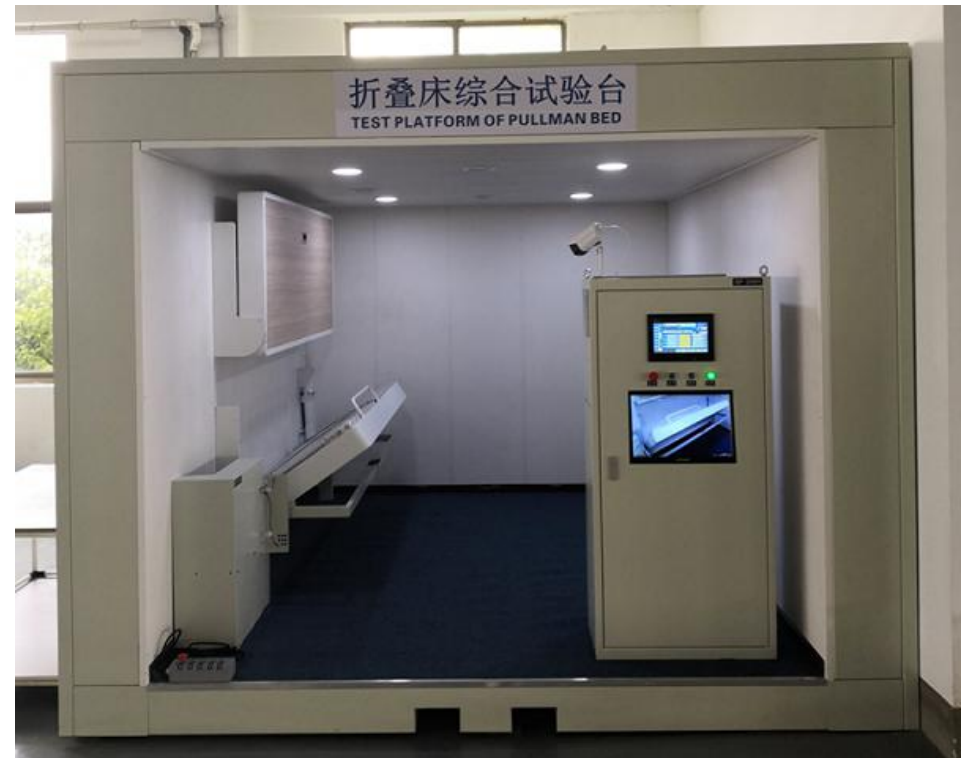
使用寿命 Service life :

5次/天*365天/年*20年=36500次 | 5times/day*365days/year*20years=36500times

开合次数 Opening and closing times : 40000次 | 40000 times

开合36500次后拆下检查关键部件的磨损和变形。床身结构无永久变形、焊缝裂纹、紧固件松动等情况，床身上下折叠平稳，经检测无异常噪音和振动。气泵橡胶垫片和轴销磨损轻微。

Disassemble the pullman bed after 36500 fold up-down and check the wear and deformation of some key component. There is no permanent deformation, weld crack or loosening of fasteners in the structure .The bed can be folded up and down smoothly and no abnormal noise and vibration after test. The rubber gasket and shaft pin of air pump was mild wear.



综合试验

COMPRHENSIVE EXPERIMENT

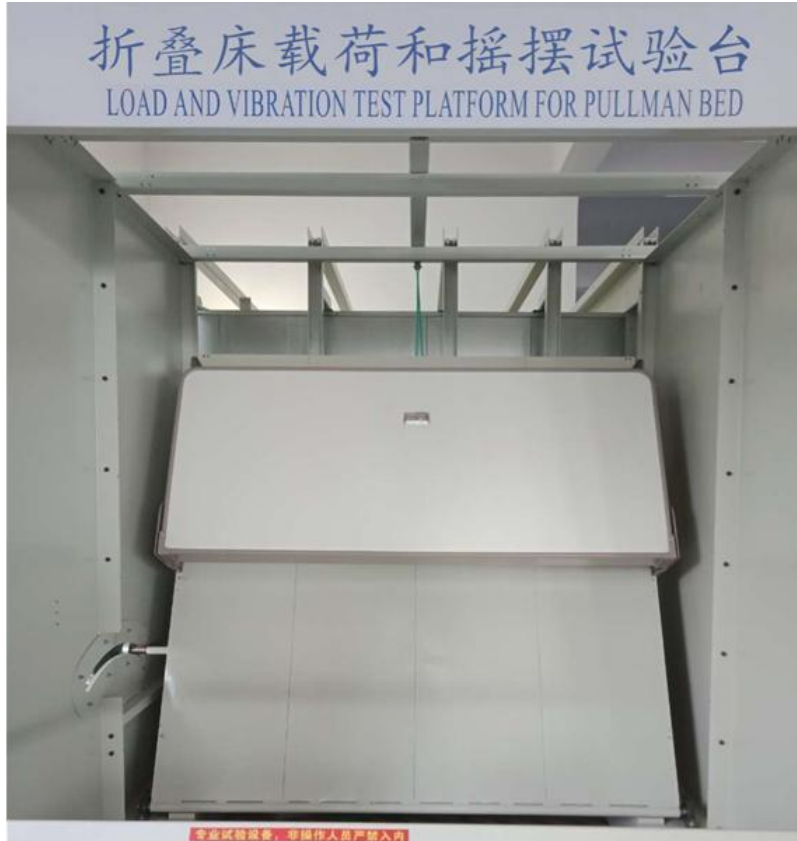
摇摆实验 | Vibration Test

摇摆角度 Vibration Angle: : $\pm 25^\circ$

实验方法 Experimental Method : 15秒/周期 | 15S/Cycle

在摇摆过程中无异常开启现象。

There was no abnormal opening during the vibrating process.



实验数据 | Test datasheet

实验得到的数据受到了国内外客户的高度认可。

Our bed series are highly recognized by foreign and domestic clients.

序号 No.	内容 Content	参数 Parameter	备注 Remark	实验结果 Test Result
1	外形尺寸 Dimension	2000*800mm	床框内框尺寸 Inner Dimension of Bed Frame	OK
2	产品重量 Weight	34.5kgs	不含床垫 Without metress	OK
3	上铺安装高度 Upper Mounting Height	1300mm	床框下沿距地面高度 Height between floor and bottom of bed frame	OK
4	下铺安装高度 Lower Mounting Height	400mm	床框下沿距地面高度 Height between floor and bottom of bed frame	OK
5	开合次数 Openning and Closing Times	40000次	使用寿命大于20年 5次/天 *365天/年*20年=36500次 Service Life more than 20years 5times/day * 20years=36500times	开合36500次后拆下检查关键部件的磨损和变形。床身结构无永久变形、焊缝裂纹、紧固件松动等情况，床身上下折叠平稳，经检测无异常噪音和振动。气泵橡胶垫片和轴销磨损轻微。 Disassemble the pullman bed after 36500 fold up-down and check the wear and deformation of some key component. There is no permanent deformation, weld crack or loosening of fasteners in the structure .The bed can be folded up and down smoothly and no abnormal noise and vibration after test. The rubber gasket and shaft pin of air pump was mild wear.
6	摇摆实验 Vibration Test	$\pm 25^\circ$	15秒/周期 15S/Cycle	在摇摆过程中无异常开启现象。 There was no abnormal opening during the vibrating process.
7	动载荷 Dynamic Load	85kgs	300mm高自由落体 Free Fall at 300mm	经测试后，床体结构中无永久变形、焊缝裂纹或紧固件松动。床体上下折叠平稳，无异常噪音和振动。经测试，加载和卸载过程中，床体终端部区域的偏差数值为0mm。
8	静载荷 Static Load	350kgs	保持30分钟 Loaded 30mins	There is no permanent deformation, weld crack or loosening of fasteners in the structure . The bed can be folded up and down smoothly and no abnormal noise and vibration after test. Measure the deflection on the end region during load and unload process and value is 0mm.

TEST REPORT -- PULLMAN BED

XP/L-JL-31

Test status	<input type="checkbox"/> Sample <input type="checkbox"/> Exhibition <input checked="" type="checkbox"/> Pre-production <input type="checkbox"/> Bluk production							
Product	Pullman bed	Specification	L1980*W800	Test component	Whole bed	Test date	2019/03/23/17: 30 --2019/03/28/17: 40	
Test item						Acceptable deviation	Result	Determine (OK/NOK)
I Function test	(1) Opening/closing				Smooth fold up and down without creaking		Y	OK
	(2) Handle squeeze finger or not during fold up and down				No squeeze		N	OK
	(3) No automatic falling without external pulling				No automatic fallin		N	OK
	(4) Soft close when fold up and measure angle				Soft close/ $\leq 25^\circ$		Y/15 °	OK
	(5) Time of one fold up and down				10-15s		11.82s	OK
	(6) Max force when fold up				$\leq 8.5\text{Kg}$		6.8Kg	OK
	(7) Max force when fold down				$\leq 18\text{Kg}$		12.4Kg	OK
II Bearing test	(8) Static load 300kg on end region for 30mins and measure deflection(mm)				$\leq 0.5\text{mm}$		0mm	OK
	(9) Distributed static load for 30mins and measure deflection(mm)				$\leq 0.5\text{mm}$		0mm	OK
	(10) Dynamic load 82.5kg, fall down from 300mm height above bed and load 15 mins then measure deflection(mm)				$\leq 0.5\text{mm}$		0mm	OK
III Fatigue test	10000th fold up-dwon	Check: Air pump operating status, vibration and abnormal noise during fold up-down.	Product runs normally without abnormal noise			Good	OK	
	20000th fold up-dwon					Good	OK	
	26000th fold up-dwon					Good	OK	
	32000th fold up-dwon					Good	OK	
	36500th fold up-dwon	Check: Air pump operating status, vibration and abnormal noise by manual fold up-down, disassemble pullman bed then check wear and deformation of shaft, screw loosening of the mounting plate	Product runs normally, mild wear of shaft/air pump is permitted			Mild wear	OK	

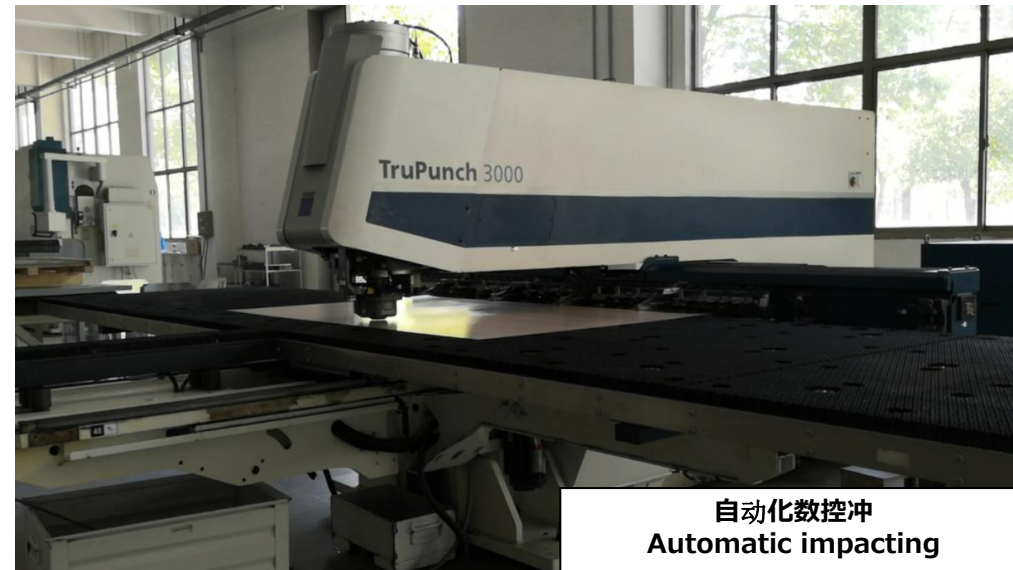
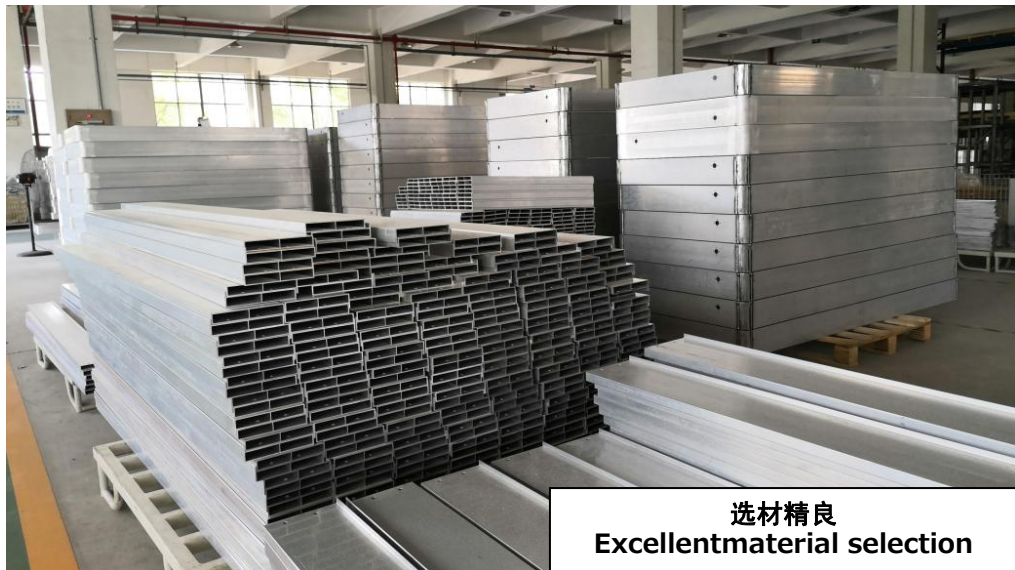
生产流程

Production Process

PART THREE

生产流程

PRODUCTION PROCESS



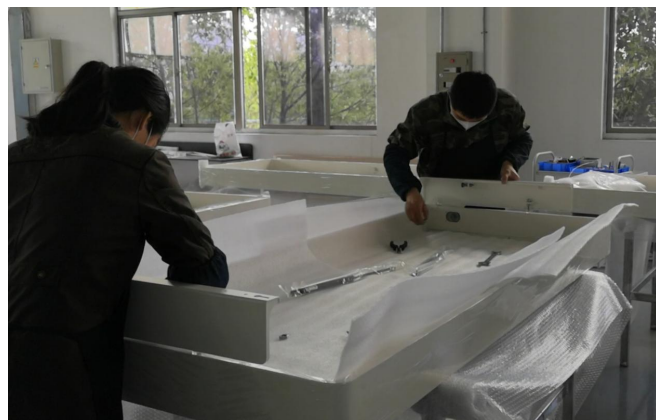
生产流程 PRODUCTION PROCESS



生产流程 PRODUCTION PROCESS



组装 ▶ 打包 ▶ 发货
Assembling ▶ Packing ▶ Transportation





合作项目

Cooperation project

PART FOUR



合作项目 COOPERATION PROJECT

2018-2019年，完成豪华客滚船中华复兴号K36项目的折叠床系列产品的供货。

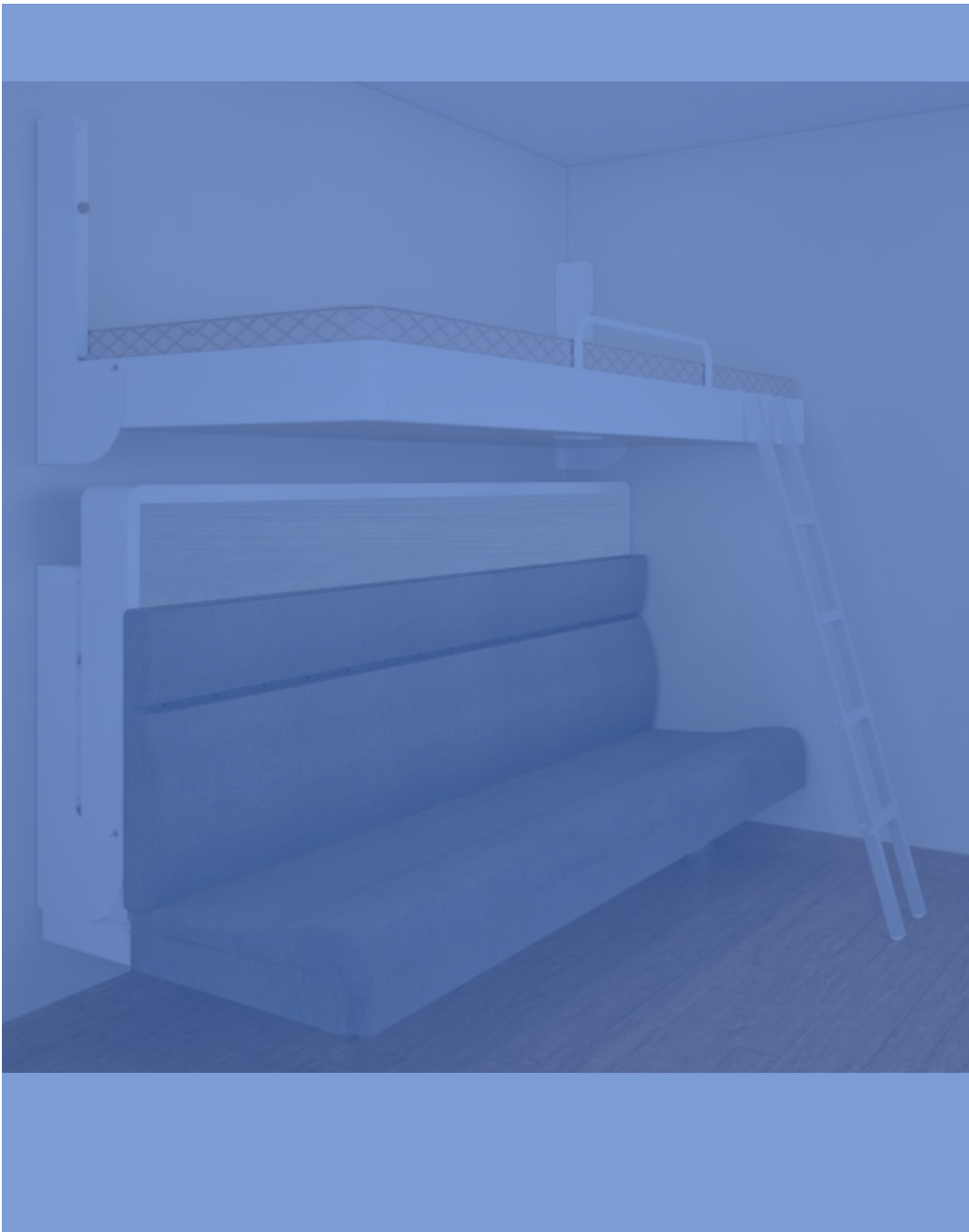
2018-2019, complete the supply of the Pullman bed series products for project K36 of Zhonghua Fuxing Ship.



合作项目 COOPERATION PROJECT

2019年-2021，完成维京游轮NB488项目的折叠床、沙发床系列产品的供货。

2019-2021, complete the supply of the Pullman bed series and sofa bed series products for project NB488 project of Viking Line.

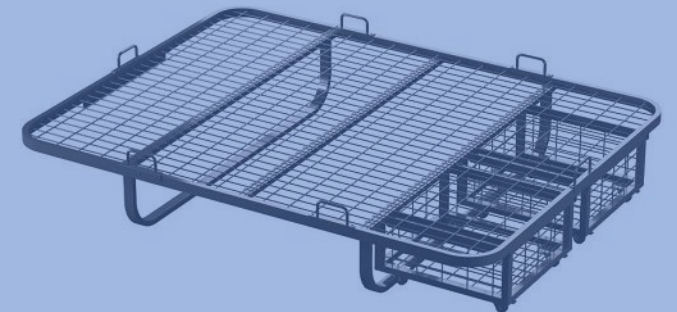
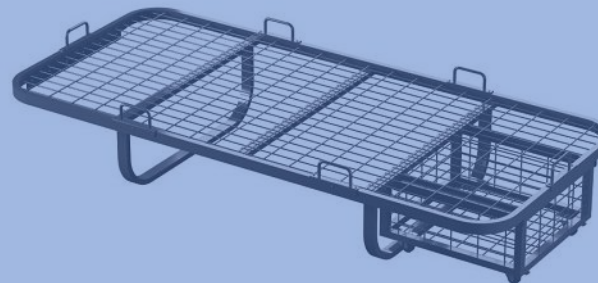
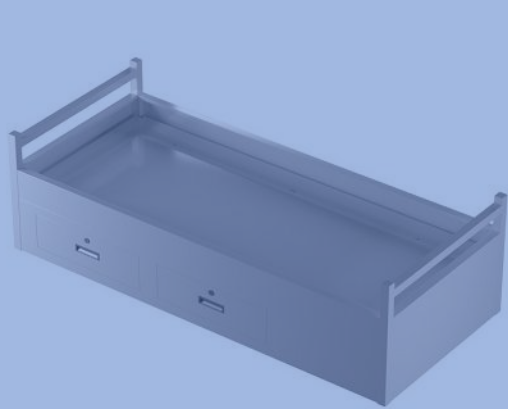




合作项目 COOPERATION PROJECT

2019-2022年，成为极地游轮项目的双层床、单层床及钢丝床等产品的供应商。

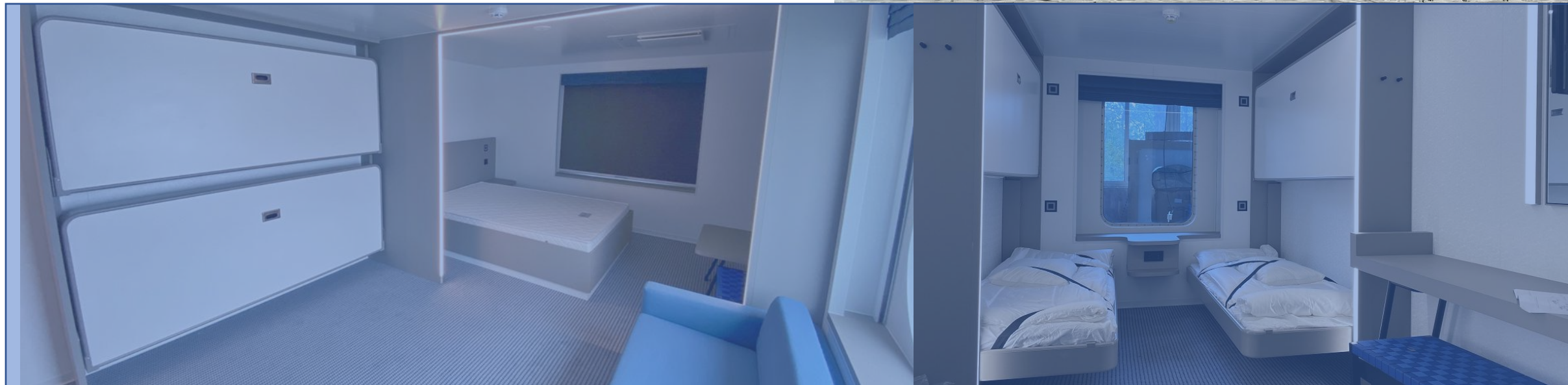
2019-2022, cooperate with I.S. MÄKINEN OY for the polar cruise project of supplying the steel bunk bed, steel single-berth bed and steel wire bed.



合作项目 COOPERATION PROJECT

2020年至今，与瑞玛集团合作，成为TT LINE系列船的折叠床产品供应商。

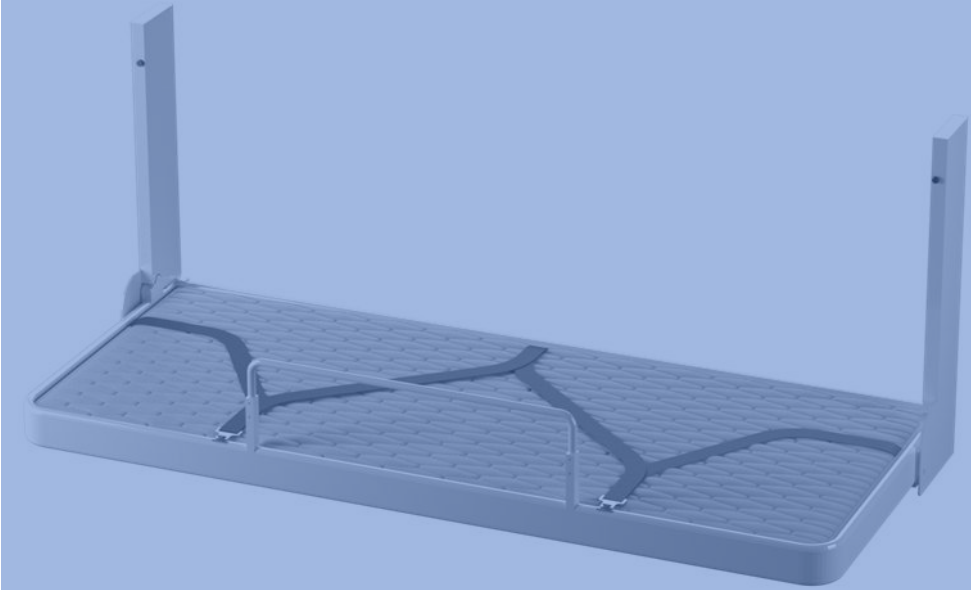
2020~2022, signed cooperation with R&M Group for the TT LINE project of supplying the Pullman bed.



合作项目 COOPERATION PROJECT

2021年至今，与瑞玛集团合作，成为STENA LINE系列船的折叠床产品供应商。

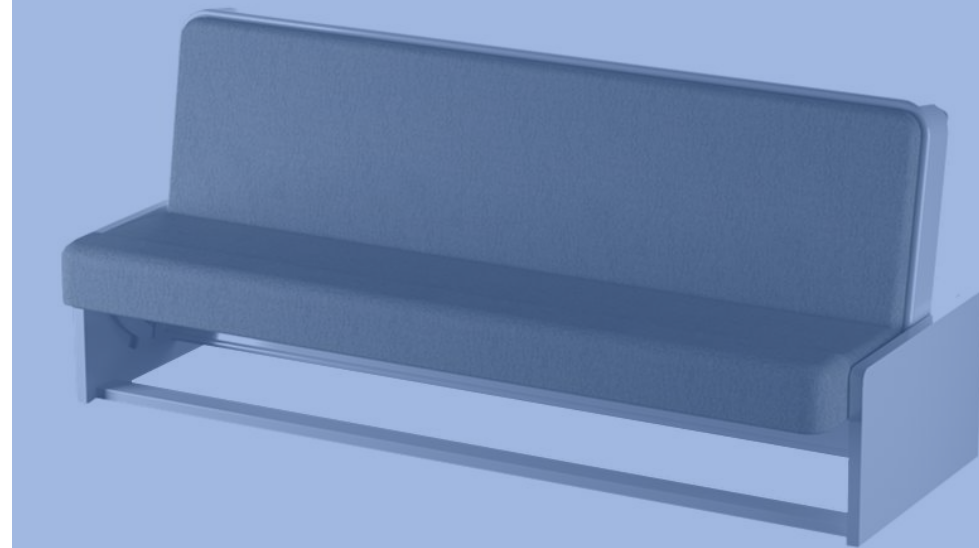
2020~2022, signed cooperation with R&M Group for the STENA LINE project of supplying the Pullman bed.



合作项目 COOPERATION PROJECT

2022年与瑞玛集团合作，成为FINNLINES系列船的折叠床及沙发床系列产品供应商。

2202, signed cooperation with R&M Group for the FINNLINES project of supplying the Pullman bed and sofa bed series.





我们的优势

1. 具备独立自主研发产品的能力，其中折叠床、沙发床和吸顶式折叠床是我们公司研发的专利产品；
2. 从来料到组装等一整套完整工序都是在我们工厂独立完成，且关键工序都采用自动化生产、质量可控；
3. 拥有自主研发的全球最先进的自动化折叠床疲劳（寿命）试验台、摇摆试验台，可对折叠床使用状态进行模拟试验，折叠床的关键部件全部得到可靠性验证，其他试验如动载荷试验、静载荷试验、盐雾试验、色差检验等全部按公司内控标准进行，检验标准高于同行；
4. 拥有与多个国外豪华游轮配套项目的合作经验，所服务的都是高端客户，可以满足客户对于高端产品的各种需求；
5. 供货周期短，处理售前、售后问题迅速。



Our Advantage

1. Have the ability of independent research and development of products, in which the Pullman bed, sofa bed and ceiling pullman bed is our company's patented products;
2. The whole process from material to assembly is done independently in our factory ;
3. We have independent research and development of the world's most advanced automatic Pullman bed of fatigue test for lifetime and vibration test platform, able to carry on the simulation test of Pullman bed`s usage state, all the key parts of the Pullman bed have been reliability verified. Other test such as dynamic load test, static load test, salt spray test, chromatic aberration inspection, etc all according to our company internal control standard inspection and our standards are higher than peers;
4. With the experience of cooperating with a number of foreign luxury cruise projects, our service can meet a series of high-end customer requirements for high-end products;
5. Short supply cycle, dealing with pre - sale, after - sale problems quickly.



2022



期待与您达成合作

THANKS FOR WAHCHNG

地址：中国（安徽）自由贸易试验区芜湖片区永昌路10号
Add: No.10 Yongchang Road, Wuhu District, Pilot Free
Trade Zone (Anhui) China, 241000
Tel: 86-553-5223351 Phone: 86-13675539879
Website: www.shipe126.com
E-mail: xp321520@163.com

